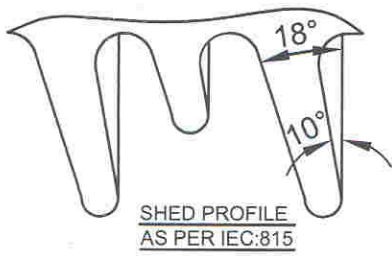


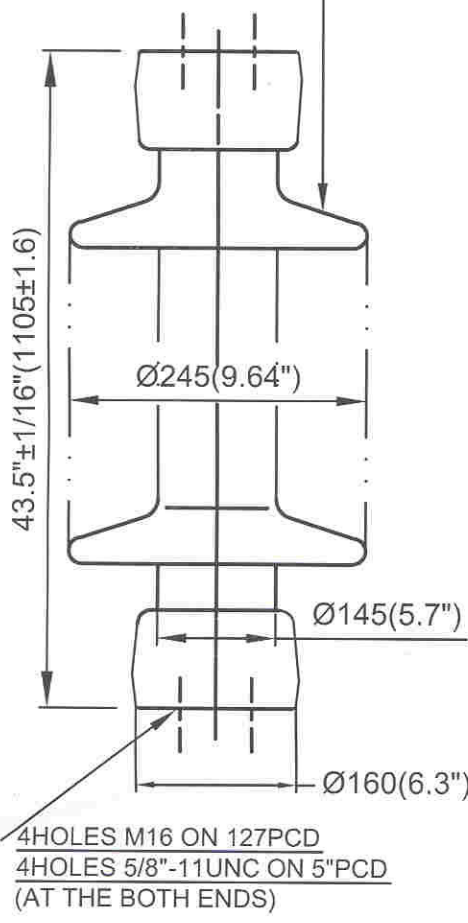
DRG. NO. 8 422

REVISIONS

ALL DIMENSIONS ARE IN mm



PSN, EMBLEM  
INDIA  
MONTH & YEAR



**GUARANTEED TECHNICAL PARTICULARS:**

**GENERAL :-**

1. Applicable standards ansi c-29.1-1988&c-29.9-1983.
2. TYPE: Cylindrical solidcore post insulator
3. Colour of glaze : Grey
4. All ferrous parts are to be Hot dip galvanized
5. Min. Nom. Creepage distance Inch/mm 99"(2515)

**MECHANICAL VALUES :-**

1. Ultimate cantilever strength (Upright/Underhung) lbs/kN 2900/12.9
2. Ultimate Compression strength lbs/kN 90000/400.36
3. Ultimate tensile strength. lbs/kN 25000/111.2
4. Ultimate torsional strength. In.lbs/kNm 90000/10.17

**ELECTRICAL VALUES :-**

1. Nominal system voltage kV(rms) 132
2. Highest system voltage kV(rms) 145
3. Low frequency withstand voltage. (10Sec.wet). kV(rms) 230
4. Impulse withstand voltage (+Ve/-Ve wave) kVp 550
5. Critical impulse flashover voltage kVp 610

**RADIO INFLUENCE VOLTAGE DATA**

- |                            |          |     |
|----------------------------|----------|-----|
| Low frequency test voltage | kV (rms) | 73  |
| Max. RIV at 1000 KHz       | µV       | 200 |

**PACKING PARTICULARS:-**

- |                         |        |           |
|-------------------------|--------|-----------|
| 1. Type of crate        | NO.    | 1         |
| 2. Insulators per crate | NO.    | 1         |
| 3. Packed weight .      | lb/kg  | 196/89    |
| 4. Packed volume .      | ft³/M³ | 4.93/0.14 |

EQ.HT. 1.3.1.15= P=63/A-71

**PSN COMPONENTS**

W.O./Q.NO.		
DRN	PRASHANT	01.06.04
CHD	ANIL	01.06.04
APPD		

REF. DRG. NO.	SCALE NTS	PROJECTION 	MATERIAL PORCELAIN&MCI/SGI	FINISH AS ABOVE	WT. (KG.) P - 63 M. P. - 8
TITLE <b>145-KV CYLINDRICAL SOLIDCORE POST INSULATOR (TR.NO. - 173)</b>			DRAWING NO. <b>8 422</b>		REV. <b>0</b>