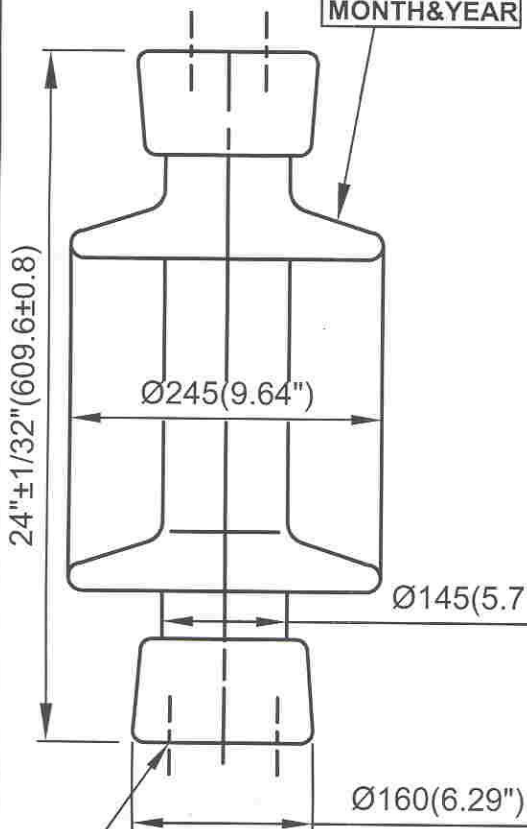


SHED PROFILE  
AS PER IEC:815

PSN, EMBLEM  
INDIA  
MONTH & YEAR



4 HOLES M16 ON 127PCD  
4 HOLES 5/8"-11UNC ON 5"PCD  
(AT THE BOTH ENDS)

**GUARANTEED TECHNICAL PARTICULARS:**

**GENERAL :-**

1. Applicable standards ANSI C-29.1-1988&C-29.9-1983.
2. TYPE: Cylindrical solidcore post insulator
3. Colour of glaze : Grey
4. All ferrous parts are to be Hot dip galvanized
5. Min. Nom. Creepage distance Inch/mm 43"(1092)

**MECHANICAL VALUES :-**

- |   |            |             |
|---|------------|-------------|
| 1. Ultimate Cantilever strength (Upright/Underhung) | lbs/kN     | 4000/17.79  |
| 2. Ultimate compression strength                    | lbs/kN     | 60000/266.9 |
| 3. Ultimate tensile strength                        | lbs/kN     | 25000/111.2 |
| 4. Ultimate torsional strength                      | In.lbs/kNm | 20000/2.26  |

**ELECTRICAL VALUES :-**

- |  |         |     |
|--|---------|-----|
| 1. Nominal system voltage                        | kV(rms) | 52  |
| 2. Highest system voltage                        | kV(rms) | 66  |
| 3. Low frequency wet withstand voltage           | kV(rms) | 100 |
| 4. Impulse withstand voltage (+Ve/-Ve wave)      | kVp     | 250 |
| 5. Critical impulse flashover voltage (positive) | kVp     | 280 |

**RADIO INFLUENCE VOLTAGE DATA**

- |                            |    |     |
|----------------------------|----|-----|
| Low frequency Test voltage | kV | 30  |
| Max. RIV at 1000 MHz       | µV | 200 |

**PACKING PARTICULARS:-**

- |                         |                                 |            |
|-------------------------|---------------------------------|------------|
| 1. Type of crate        | NO.                             | 1          |
| 2. Insulators per crate | NO.                             | 2          |
| 3. Packed weight        | lbs/kg                          | 110.2/50   |
| 4. Packed volume        | ft <sup>3</sup> /M <sup>3</sup> | 16.58/0.47 |

**PSN COMPONENTS**

W.O./Q.NO.

DRN	ANIL S.	06.05.04.
CHD	ANIL C.	06.05.04.
APPD		

REF. DRG. NO.	SCALE NTS	PROJECTION	MATERIAL PORCELAIN&MCI/SGI	FINISH AS ABOVE	WT.(KG.) P - 32.5 M. P. - 8
---------------	-----------	------------	-------------------------------	--------------------	-----------------------------------

TITLE <b>52-kV CYLINDRICAL SOLIDCORE POST INSULATOR (TR.NO. - 267)</b>	DRAWING NO. <b>7 210</b>	REV. <b>0</b>
---	-----------------------------	------------------