

Technical Specification

Mechanical failing load: 20 kN

Low frequency dry flashover voltage:
25 kV

Low frequency wet flashover voltage:

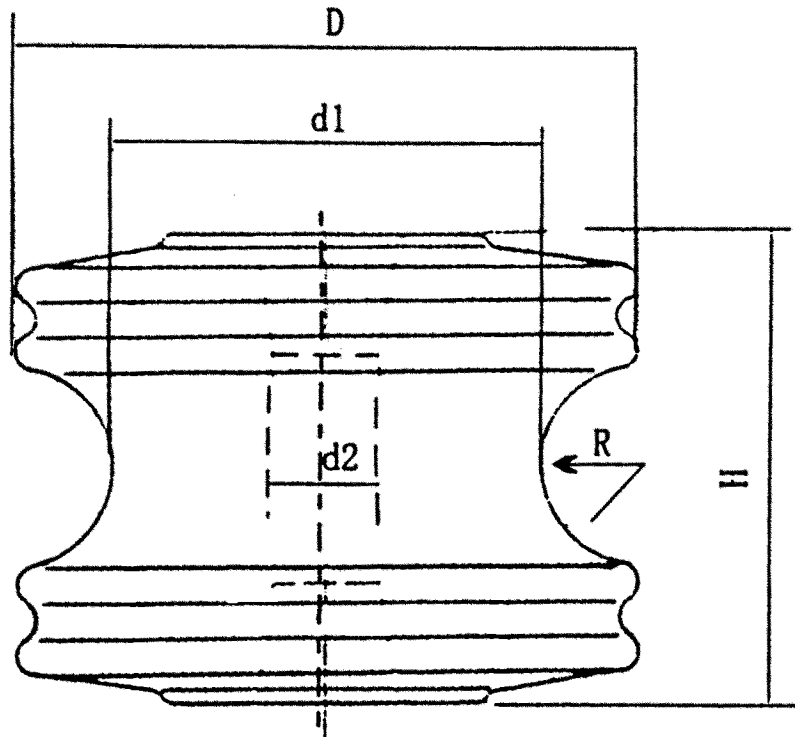
Vertical: 12 kV

Horizontal: 15 kV

Main Dimensions

H: 76mm D:105mm R: 16 mm

d1: 73mm d2: 17.5mm



ANSI53-4	1404	
Spool Porcelain Insulator	WEIGHT	UNIT
	1 KG	MM
ASSEMBLY DRAWING	PSN COMPONENTS	